

1

2

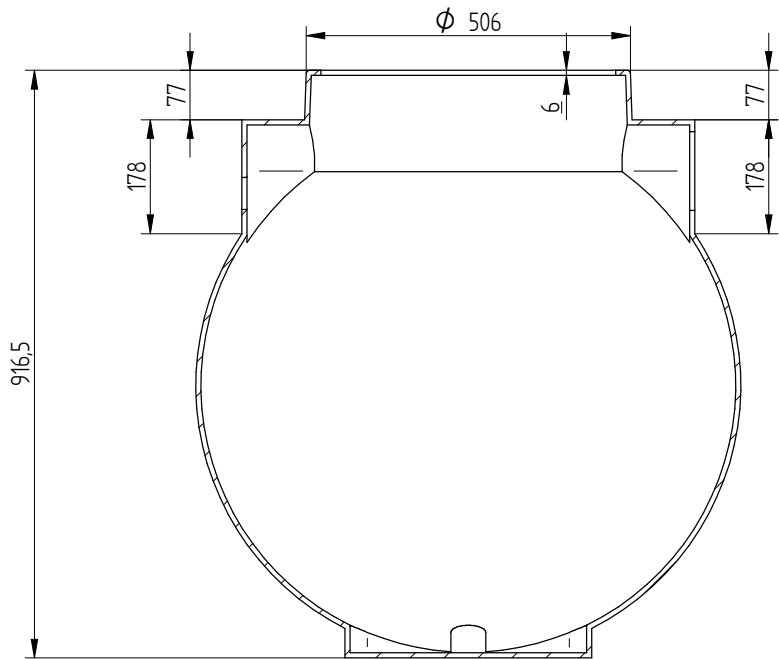
3

4

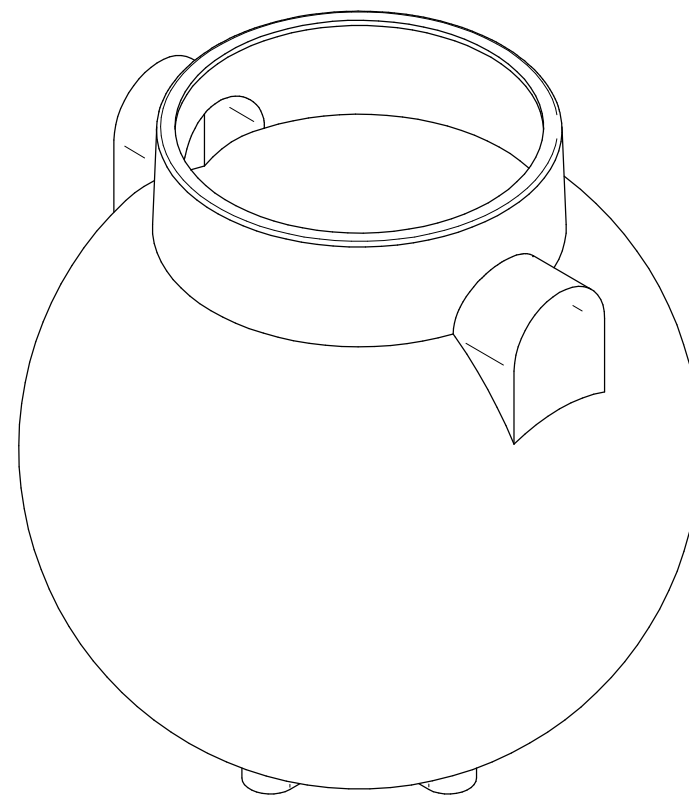
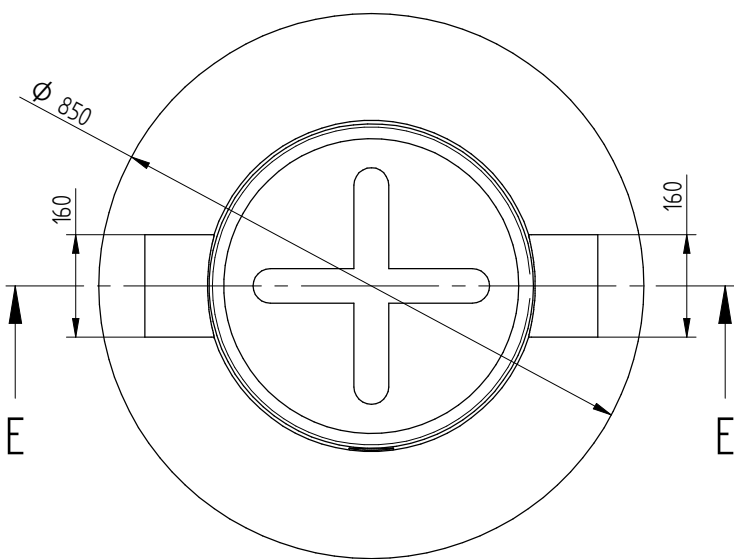
5

6

Tolerance class:



SECTION E-E



27.08.2019 Date	Engin.	Signature	Sheets	Manhole shell Ø850 ball Name	
eccua				Mass	2432.001 Number
					Rv