

1

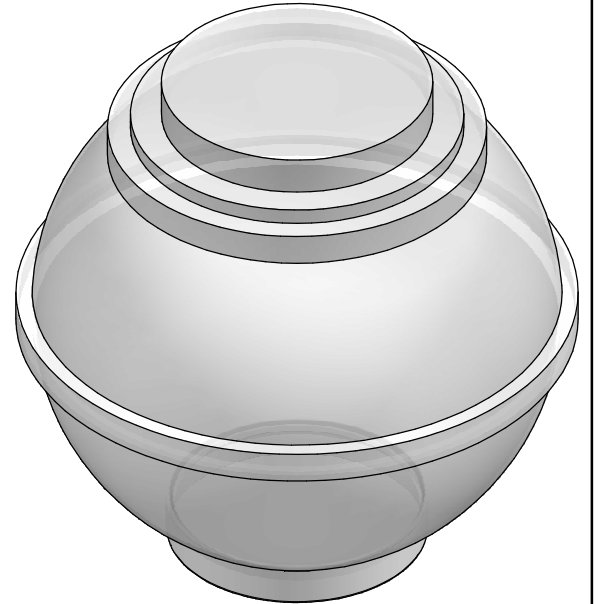
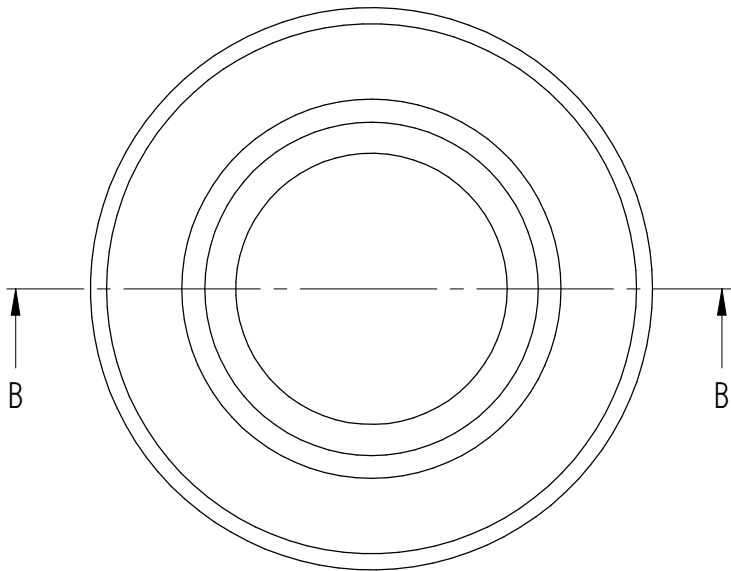
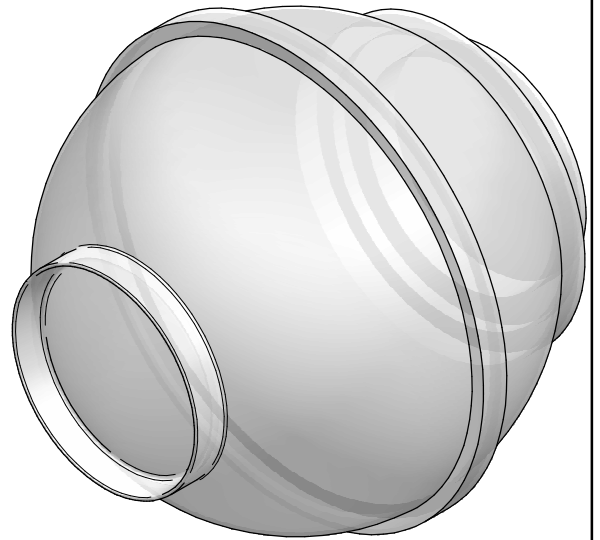
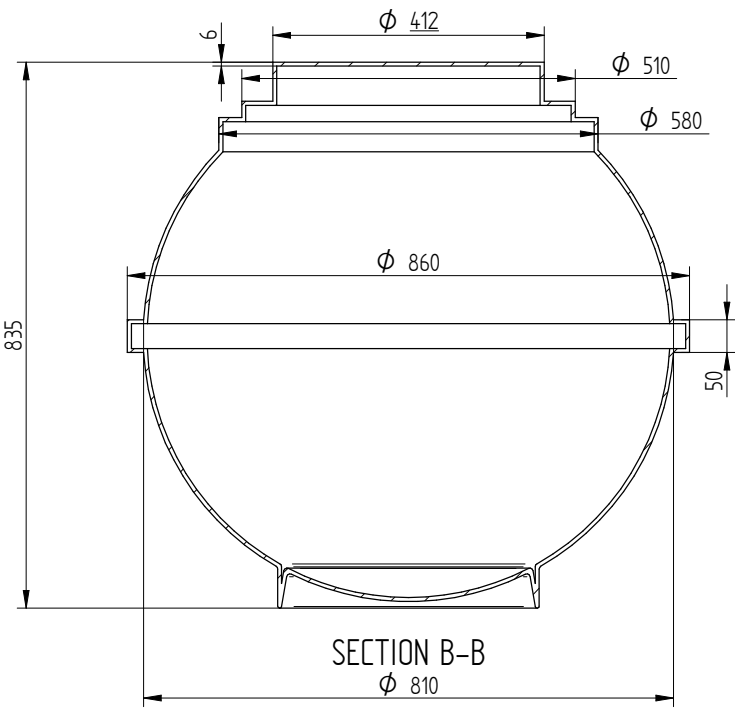
2

3

4

Tolerance class

A
B
C
D
E
F



27.08.2019				Manhole shell Ø800 ball		
Date	Enjin.	Signature	Sheets	Name		
eccua				Mass	2661.000	Rv
				Number		