

1

2

3

4

				Tolerance class			

A

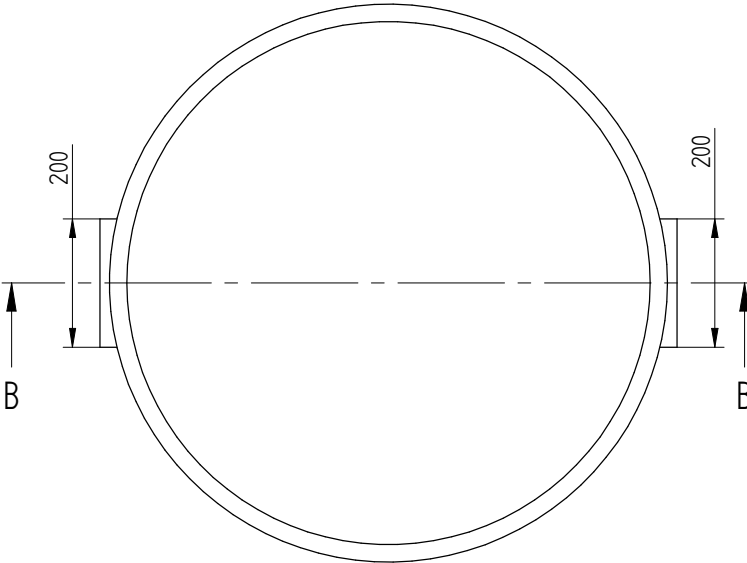
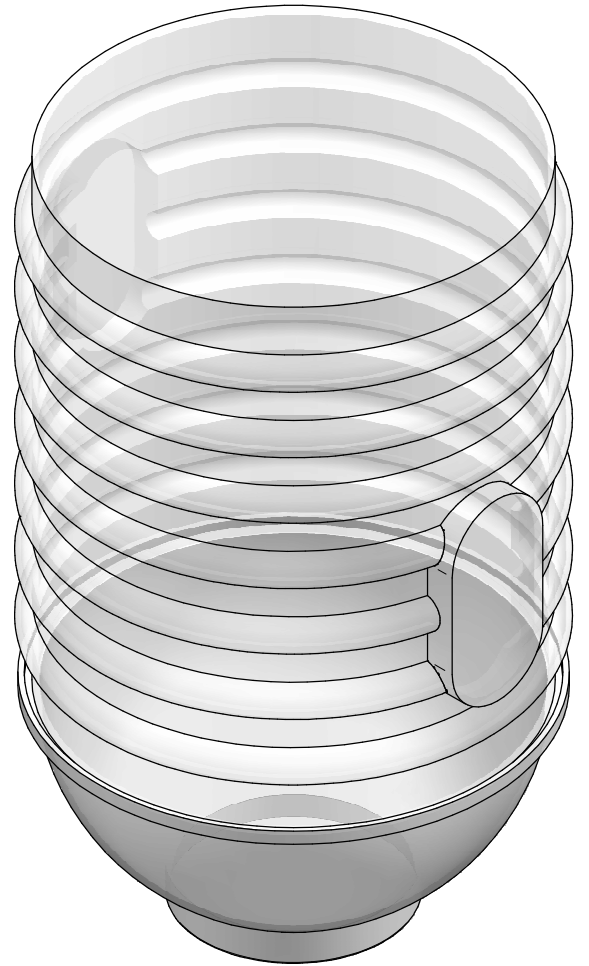
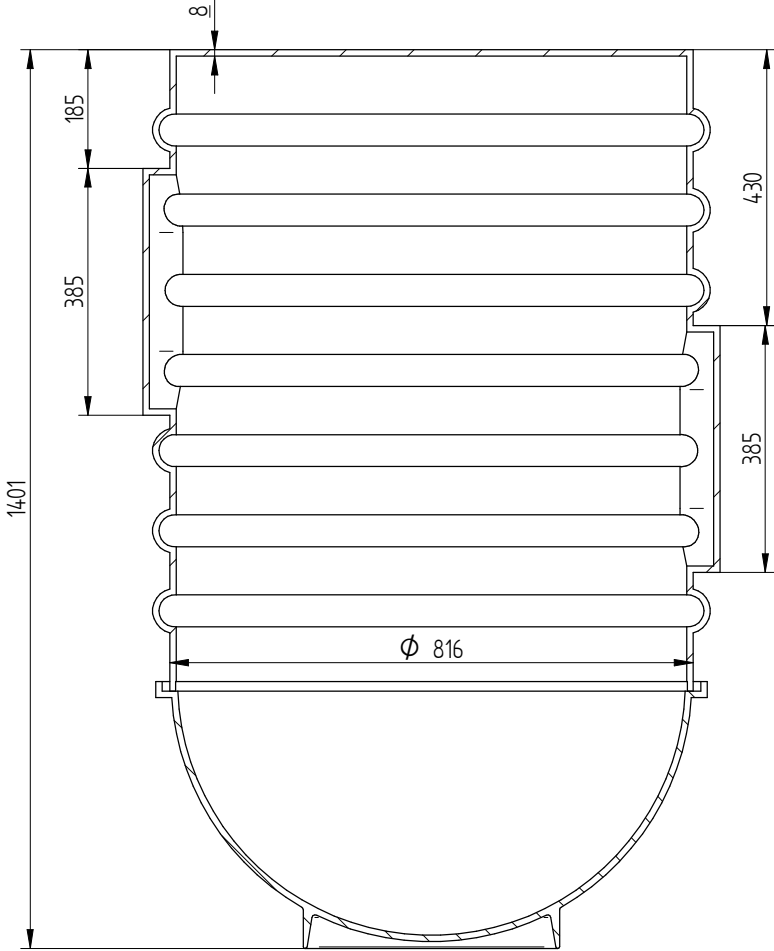
B

C

D

E

F



27.08.2019 Date				Manhole shell D800 Name		
	Enjin.	Signature	Sheets		2701.000 Number	Rv
eccua				Mass		