

1

2

3

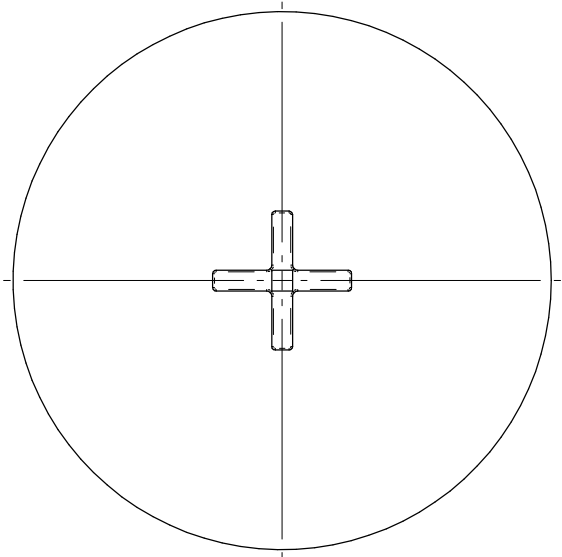
4

5

6

Tolerance class:

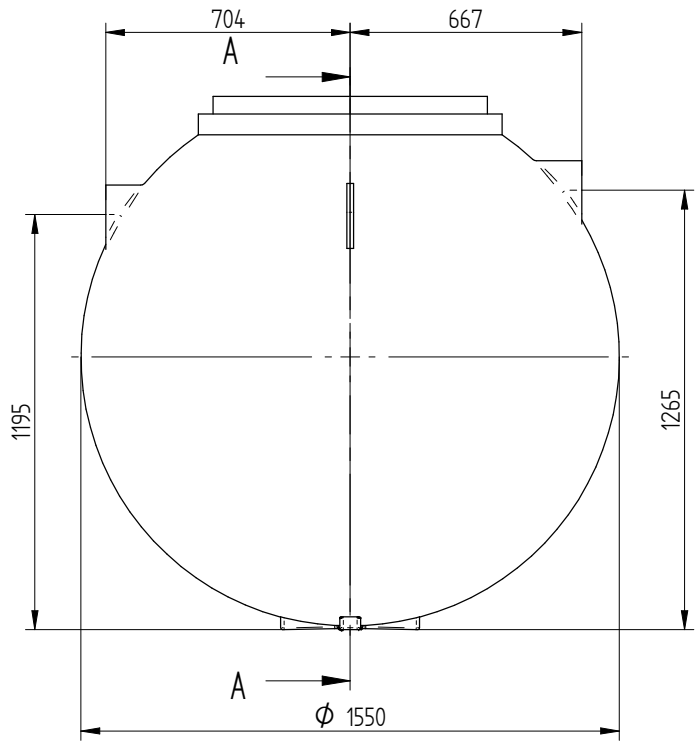
A



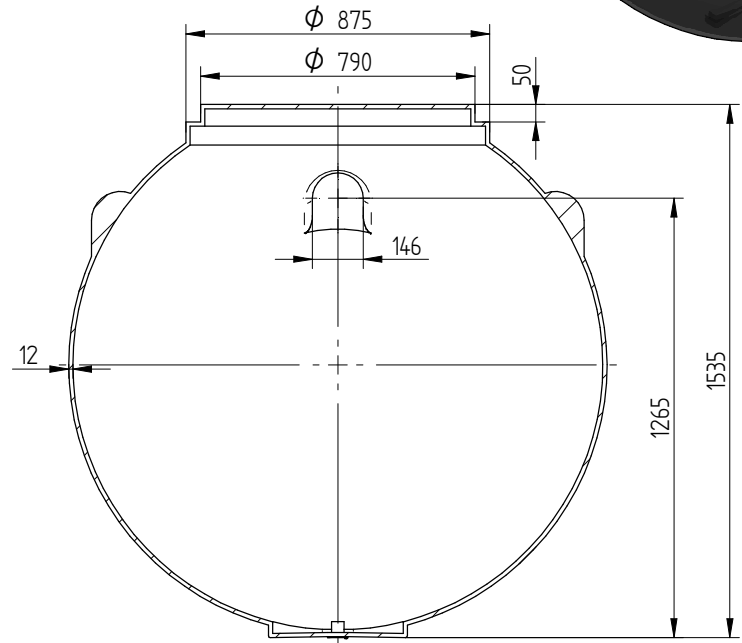
B



C



D



SECTION A-A

28.08.2019 Date	Enjin.	Signature	Sheets	Manhole shell D1500 Name		
eccua				Mass	Number	Rv